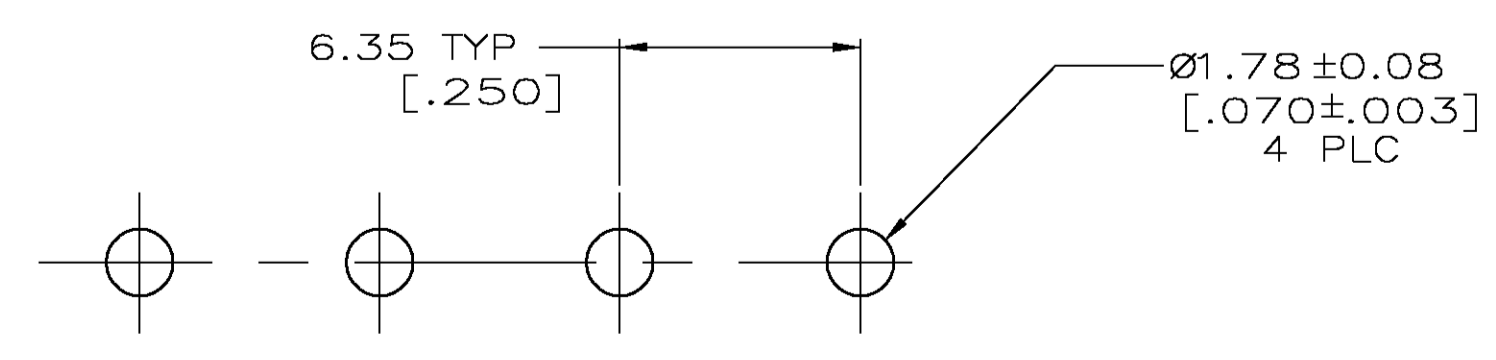
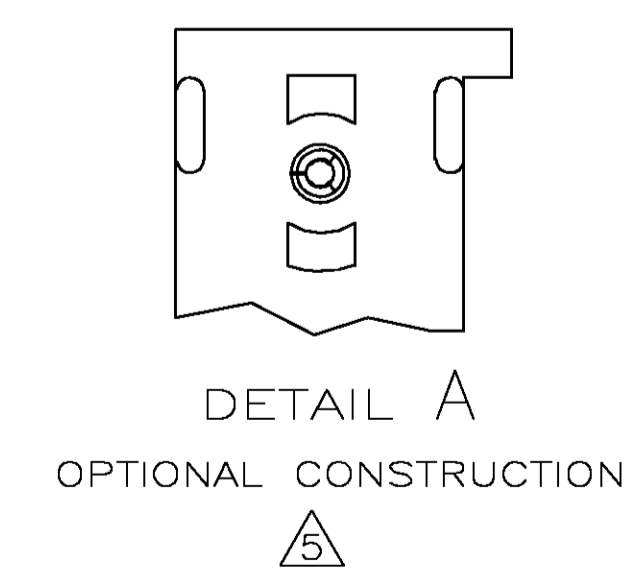
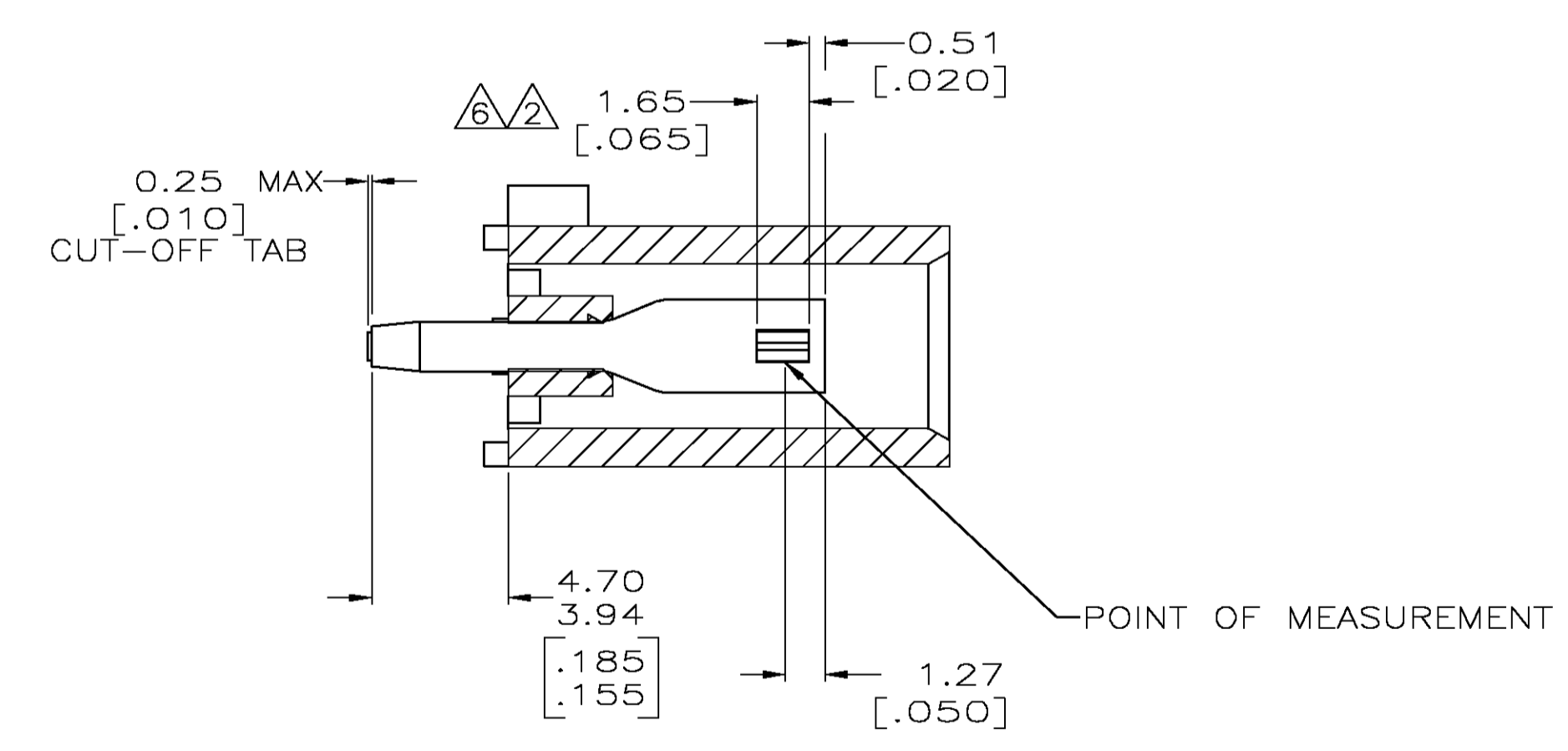
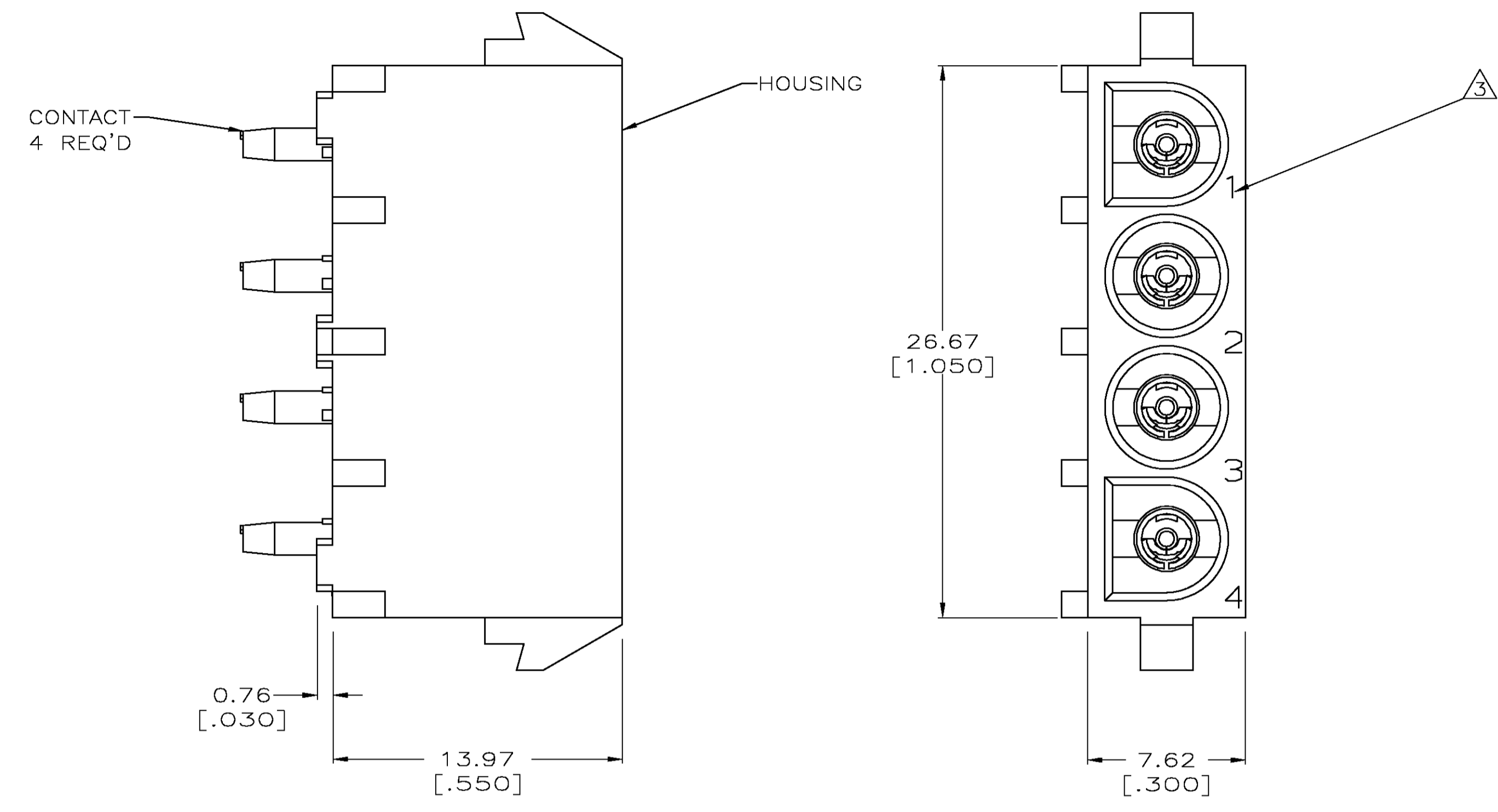
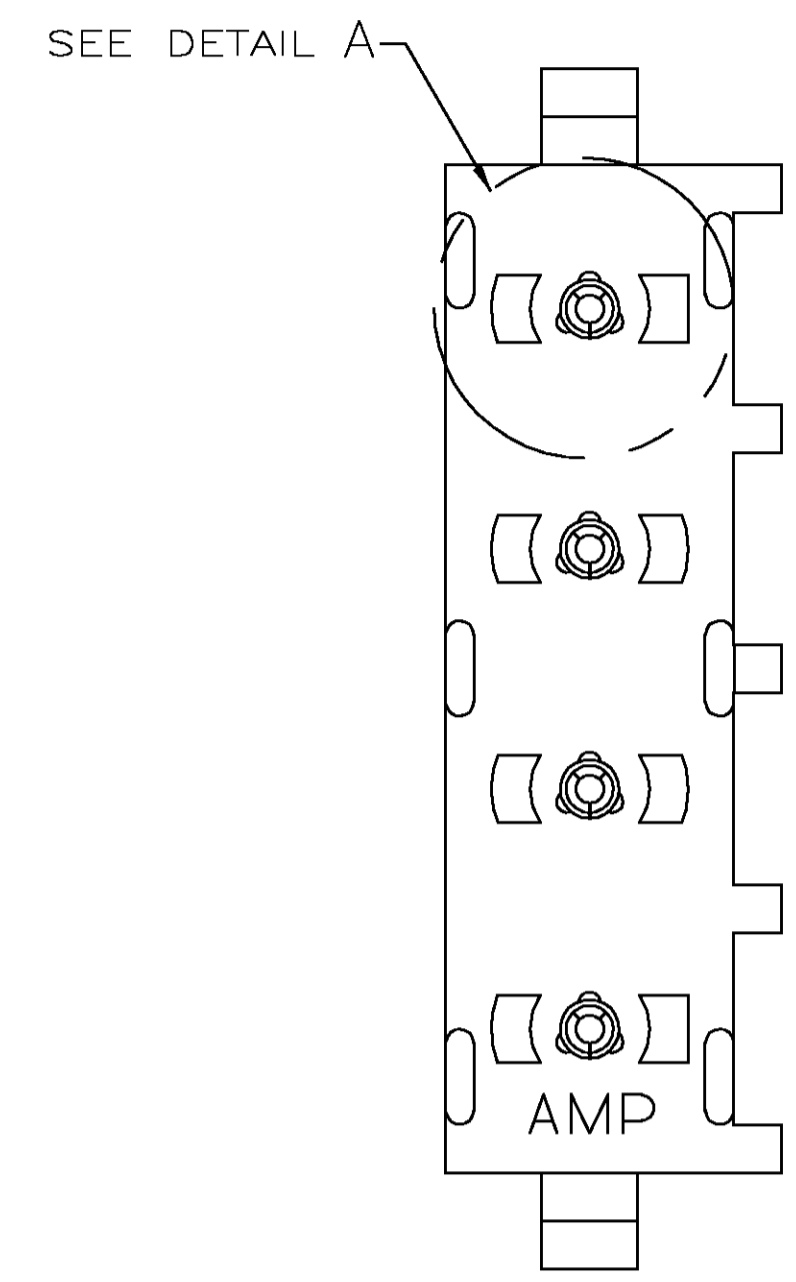
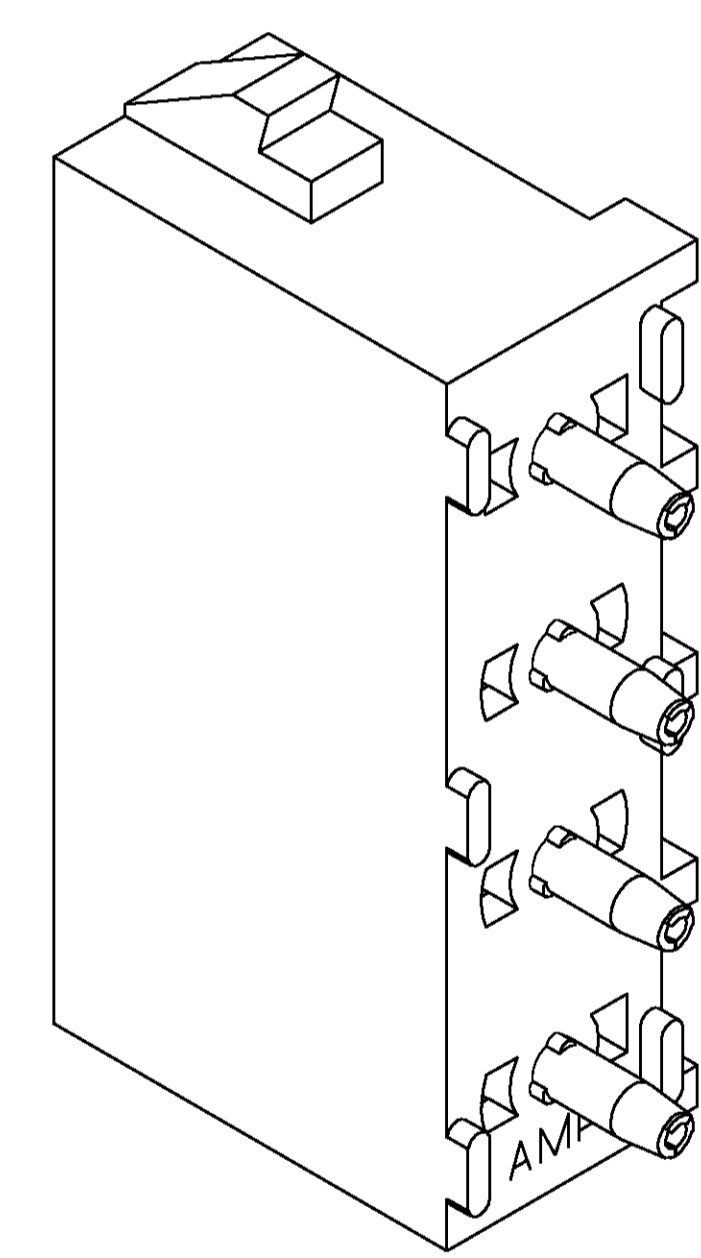


LOC		DIST		REVISIONS			
P	LTR	DESCRIPTION	DATE	BY	APP'D		
N		REVISED PER EC 0G3B-1094-04	26JAN85	KW	SR		



RECOMMENDED MOUNTING HOLE PATTERN FOR 1.57 [.062] THICK P.C. BOARD

- PARTS COMPLY TO AMP SOLDERABILITY SPECIFICATION 109-11-3.
- CONTACT IS PLATED OVERALL WITH 0.00127 [.000050] NICKEL, THEN 0.00076 [.000030] GOLD OVER CONTACT LENGTH INDICATED AND MATTE TIN LEAD ON SOLDER TAIL END.
- CIRCUIT IDENTIFICATION CHARACTERS ARE ADJACENT TO THE INDICATED CAVITIES, BUT LOCATION AND ORIENTATION MAY DIFFER FROM PRINT.
- DIMENSIONS IN BRACKETS ARE IN INCHES.
- DRAIN HOLES LOCATED AS SHOWN. OPTIONAL CONSTRUCTION - ALL DRAIN HOLES LOCATED 90° AS SHOWN IN DETAIL A.
- CONTACT IS PLATED OVERALL WITH 0.00127 [.000050] NICKEL, THEN 0.00076 [.000030] GOLD OVER CONTACT LENGTH INDICATED AND MATTE TIN ON SOLDER TAIL END.



PHOSPHOR BRONZE, GOLD	NYLON, UL94V-2, NATURAL	350761-5
PHOSPHOR BRONZE, PRE-TIN	NYLON, UL94V-2, NATURAL	350761-4
PHOSPHOR BRONZE, GOLD	NYLON, UL94V-2, NATURAL	350761-3
CONTACT MATERIAL AND FINISH	HOUSING MATERIAL	PART NUMBER



THIS DRAWING IS A CONTROLLED DOCUMENT.		DIV D. LEWIS	10-02-98	 Tyco Electronics Corporation Greensboro, NC 27409
DIMENSIONS: mm [INCHES]		CHK R. SWING	10-02-98	
TOLERANCES UNLESS OTHERWISE SPECIFIED:		APVD M. TRULL	10-02-98	NAME SOCKET HEADER ASSEMBLY, 4 CIRCUIT UNIVERSAL MATE-N-LOK™
0 PLC ± -		PRODUCT SPEC		
1 PLC ± -		APPLICATION SPEC		SIZE A1
2 PLC ± 0.13 [.005]		WEIGHT		
3 PLC ± -		CUSTOMER DRAWING		SCALE 5:1 SHEET 1 OF 1 REV N
4 PLC ± -				
ANGLES ± ± 0.30°				
FINISH				
MATERIAL SEE TABLE				
DRAWING NO 00779				